

PIN ASSIGNMENT

P1	WIRE TYPE	P3	COLOR
1		1	RED
2		2	WHITE
3		3	GREEN
4		4	BLACK
5		SHELL	DRAIN

PIN ASSIGNMENT

P2	WIRE TYPE	P4	COLOR
1		1	RED
2		2	WHITE
3		3	GREEN
4		4	BLACK
5		SHELL	DRAIN

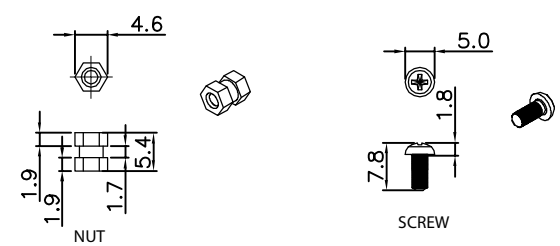
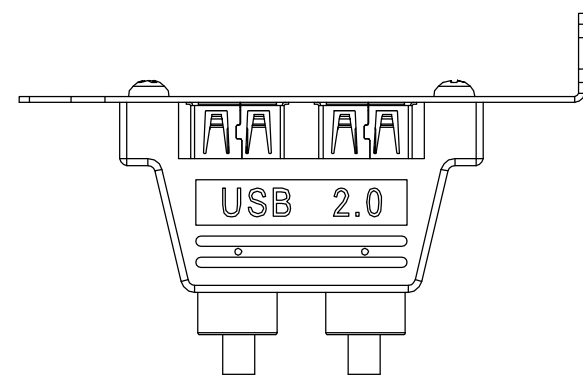
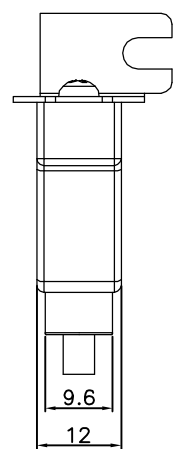
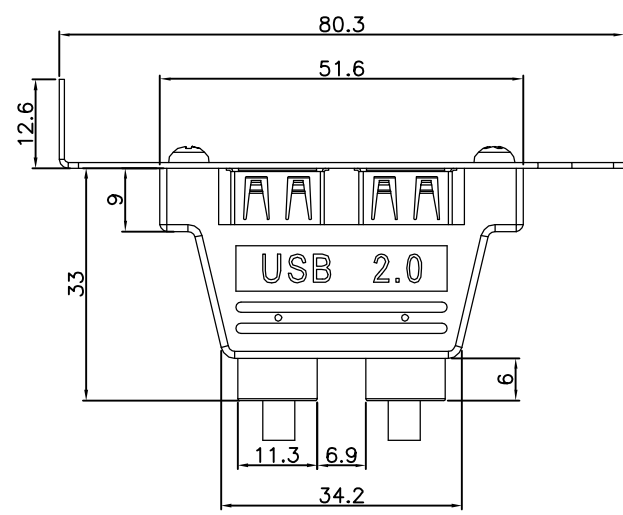
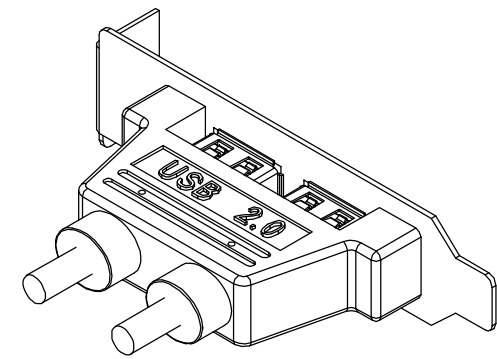
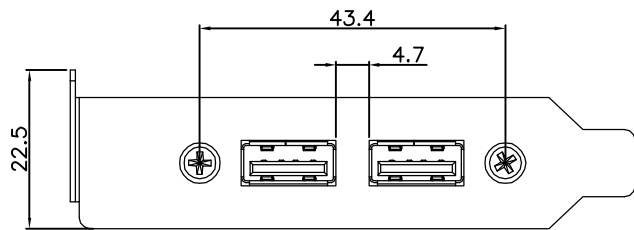
- NOTE:
1. OPEN/SHORT/INTERMITTENCE 100% TEST.
 2. DIELECTRIC STRENGTH:200 VOLTS AC 2mA MAX/0.02S.
 3. INSULATION RESISTANCE:300V DC/0.02SEC, 10MΩ MIN.
 4. CONDUCTIVE RESISTANCE:2Ω MAX.

NO.	NAME	MATERIAL DESCRIPTION	Q'TY	UNITS
10	TUBE	SHRINKING TUBE BLACK	A/R	M
9	BRACKET	PCI FULL PROFILE BRACKET NICKEL PLATED	1	PCS
8	NUT	4#-40UNC,BRACKET NUTS	2	PCS
7	SCREW	4#-40UNC,BRACKET SCREWS	2	PCS
6	SHEATH	SHEATH:ABS MATERIAL BLACK	1	SET
5	OVER MOLD	PVC , COLOR:BLACK	A/R	KG
4	TERMINAL	PHOSPHOR BRONZE TIN PLATED (Gold Plated Function)	10	PCS
3	HOUSING	IDC 5P HOUSING PH:2.54mm BLACK	2	PCS
2	CONNECTOR	USB A/F 4PIN (180° SOLDER TYPE) PIN: G/F, NICKEL PLATED FOR SHELL, WHITE INSULATION.	2	SET
1	CABLE	USB 2.0 UL2725 28AWG*1P+24AWG*2C+AL+D+B(16*4/0.12AL-M) OD:4.5mm BEIGE PVC JACKET	A/R	M

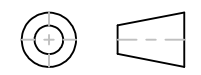
THIRD ANGLE PROJECTION

StarTech.com

GENERAL NOTES		PRODUCT ID	USBPLATELP
DIMENSIONS ARE IN MM - DO NOT SCALE		DESCRIPTION	2 Port USB A Female Low Profile Slot Plate Adapter
THIS DOCUMENT CONTAINS CONFIDENTIAL, PROPRIETARY INFORMATION THAT IS PROPERTY OF STARTECH.COM		DO NOT SCALE	SHEET: 1 OF: 2
		UPLOAD DATE: 10/29/2021	



THIRD ANGLE PROJECTION



GENERAL NOTES

DIMENSIONS ARE IN MM - DO NOT SCALE
 THIS DOCUMENT CONTAINS CONFIDENTIAL, PROPRIETARY INFORMATION THAT IS PROPERTY OF STARTECH.COM



PRODUCT ID	USBPLATELP		
DESCRIPTION	2 Port USB A Female Low Profile Slot Plate Adapter		
DO NOT SCALE	SHEET: 2 OF 2	UPLOAD DATE: 10/29/2021	