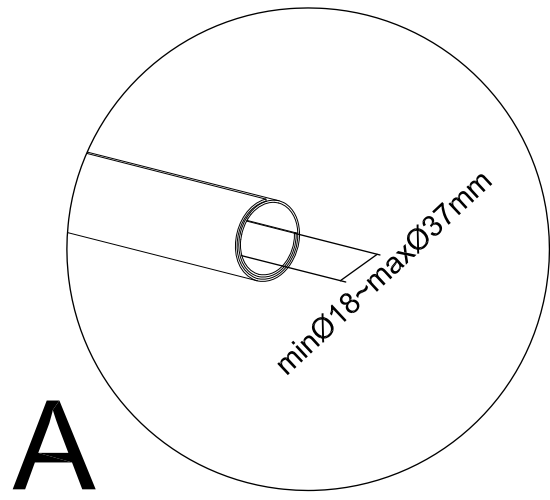
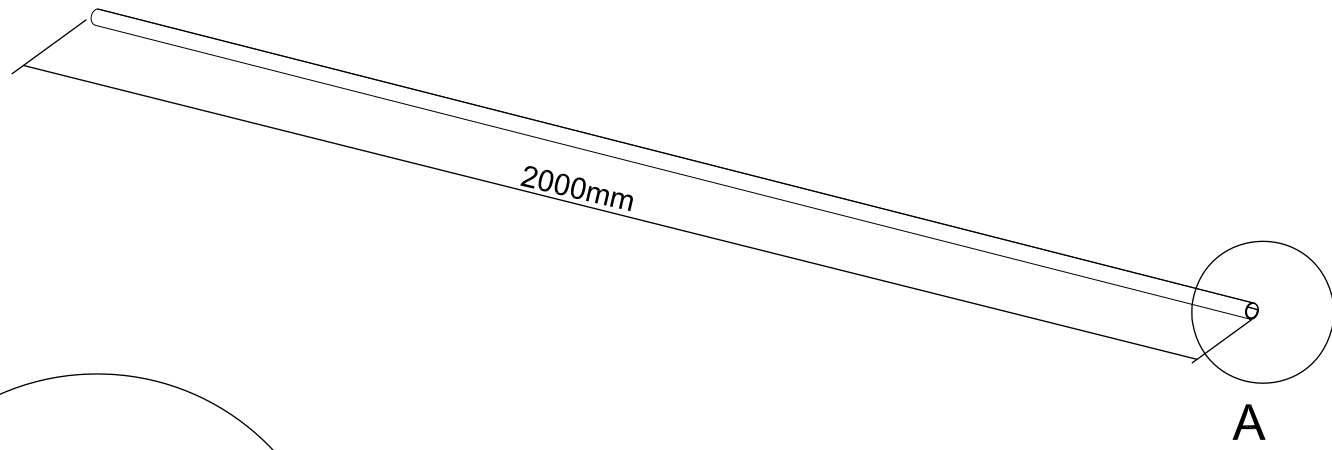
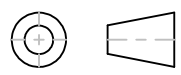


8 7 6 5 4 3 2 1

F
E
D
C
B
A



THIRD ANGLE PROJECTION



StarTech.com

GENERAL NOTES

DIMENSIONS ARE IN MM - DO NOT SCALE

THIS DOCUMENT CONTAINS CONFIDENTIAL, PROPRIETARY INFORMATION THAT IS PROPERTY OF STARTECH.COM

PRODUCT ID	WKSTNCM
DESCRIPTION	6.5' (2m) Cable Management Sleeve - Flexible Coiled Cable Wrap 1.0-1.5" dia. Expandable Sleeve - Polyester Cord Manager - Black
DO NOT SCALE	SHEET: 1 OF: 1
	UPLOAD DATE: 4/08/2021

8 7 6 5 4 3 2 1