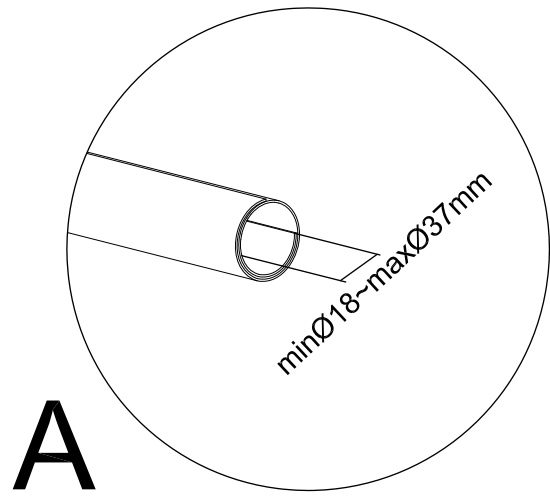
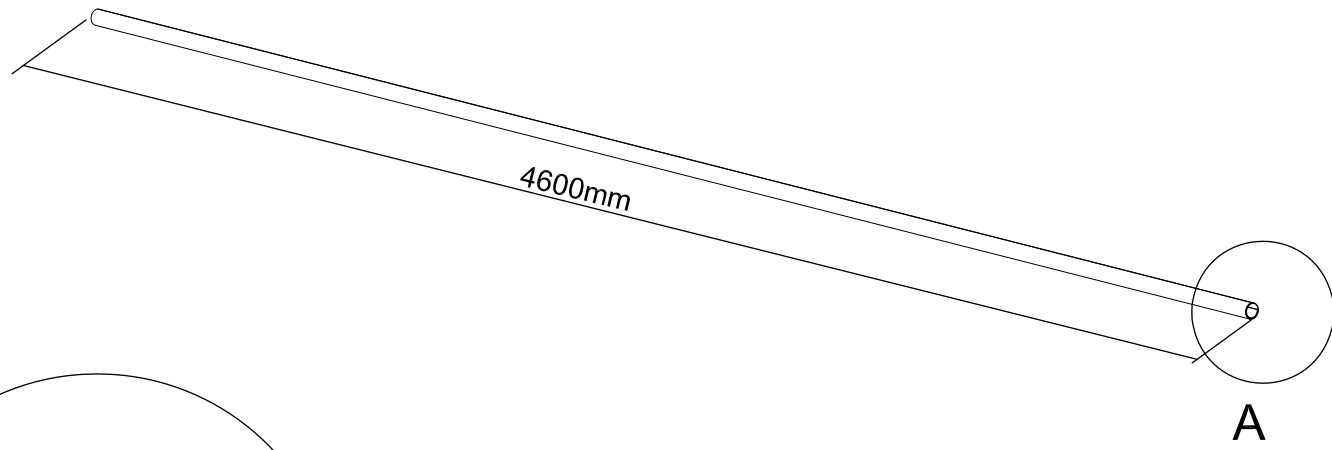
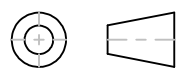


8 7 6 5 4 3 2 1

F  
E  
D  
C  
B  
A



THIRD ANGLE PROJECTION



# StarTech.com

**GENERAL NOTES**

DIMENSIONS ARE IN MM - DO NOT SCALE

THIS DOCUMENT CONTAINS CONFIDENTIAL, PROPRIETARY INFORMATION THAT IS PROPERTY OF STARTECH.COM

PRODUCT ID	WKSTNCM2
DESCRIPTION	15' (4.6m) Cable Management Sleeve - Flexible Coiled Cable Wrap 1.0-1.5" dia. Expandable Sleeve - Polyester Cord Manager - Black
<b>DO NOT SCALE</b>	<b>SHEET: 1 OF: 1</b>
	<b>UPLOAD DATE: 4/08/2021</b>

8 7 6 5 4 3 2 1